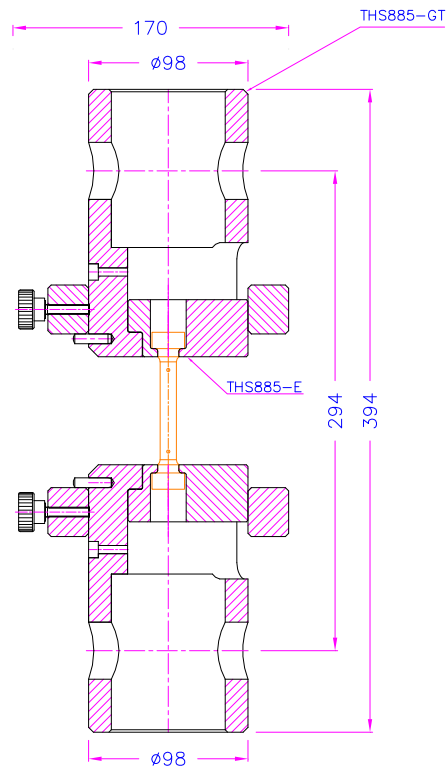
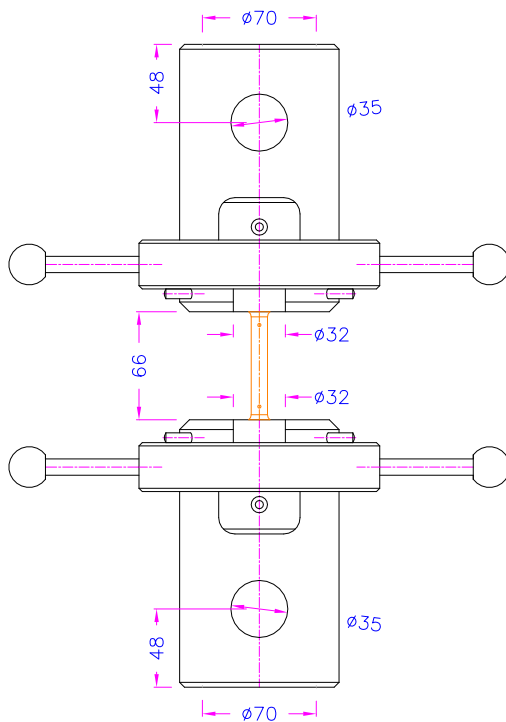
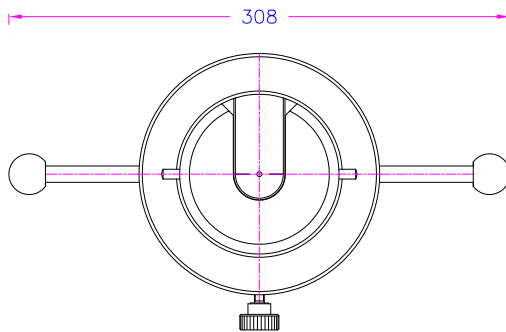


CHUCK GRIP

to test tensile properties of metallic materials according to GOST1497, GOST6996, DIN50125, ASTM-A370, GOST11150 with easily interchangeable inserts for testing button head samples, threaded samples, and screw head samples.

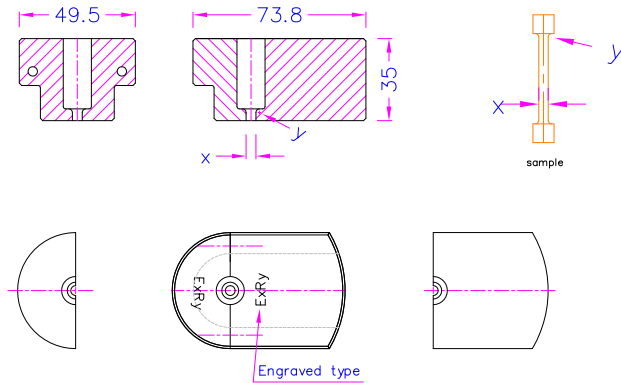
Carrier

Item no.:	THS885-70-GT
Max. load:	250 kN
Coupling:	Af70/35. Further couplings on request.
Body:	Steel, hardened, nickel-plated
Temperature range:	0 ... +70°C Further temperature ranges on request
Weight:	4.9 kg per carrier
Scope of supply:	1 carrier. Inserts must be ordered separately.



Inserts for button-head specimens:

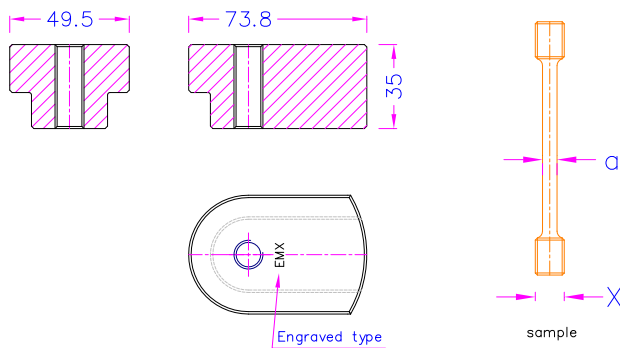
Item no.:	THS885-70-ExRy	
Inserts are split into two parts. x = diameter of sample, max. 10 mm Ø y = radius of fillet		
Material:	Steel, hardened, nickel-plated	
Weight:	1.4 kg per pair	
Temperature range:	0 ... +70°C Further temperature ranges on request	



THS885-70-ExRy

Inserts for threaded-end specimens:

Item no.:	THS885-70-EMx	
x = thread size		
Material:	Steel, hardened, nickel-plated	
Weight:	1.46 kg per pair	
Temperature range:	0 ... +70°C Further temperature ranges on request	

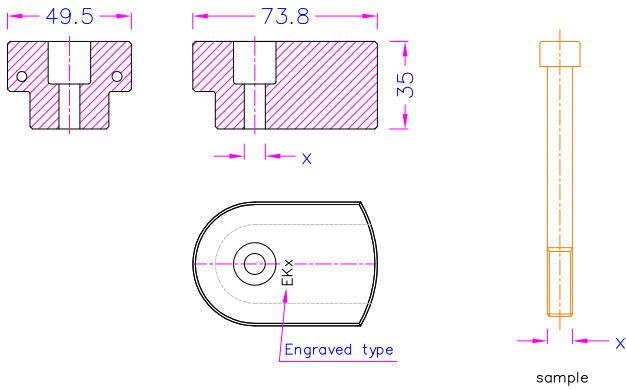


THS885-70-EMx

Examples for customized solutions:

Inserts for screw head specimens:

Item no.:	THS885-70-EKx	
x = diameter of the screw		
Material:	Steel, hardened, nickel-plated	
Weight:	1.42 kg per pair	
Temperature range:	0 ... +70°C Further temperature ranges on request	



THS885-70-EKx

THS885-70-EK20	THS885-70-EK24



THS885-70+E10R3+E15R3+E20R5+THS1596-KA-M35x2-F250-GOST1497

250 kN version for tensile tests on metals according to **GOST1497** with additional adapter to connect THS885-70 to wedge grips without dismounting



THS885-E3R1.3-H51W8



THS885-70+ExRy-H51W8