

## PUNCTURE TEST FIXTURE

to determine ball burst strength of tissue paper and tissue products according to DIN EN ISO12625-9

### Versions:

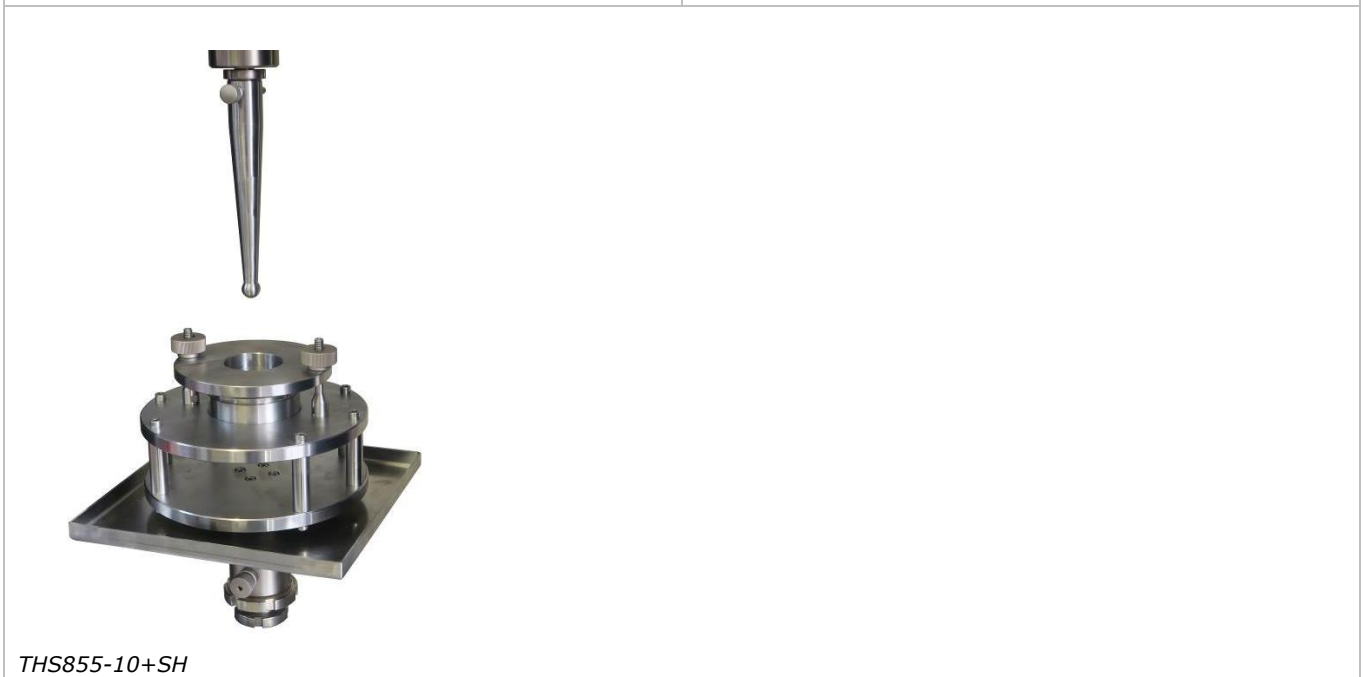
Item no.:	Description:	Page
THS855-10+SH+Ko	Pneumatic puncture test fixture according to DIN EN ISO12625-9 for single-column tensile testing machine	2
THS855-10+SH+Ko + TH187	Pneumatic puncture test fixture according to DIN EN ISO12625-9 with an adapter extension for double-column tensile testing machine	3
THS855-10+SH	Manual puncture test fixture according to DIN EN ISO12625-9	4



THS855-10+SH+Ko



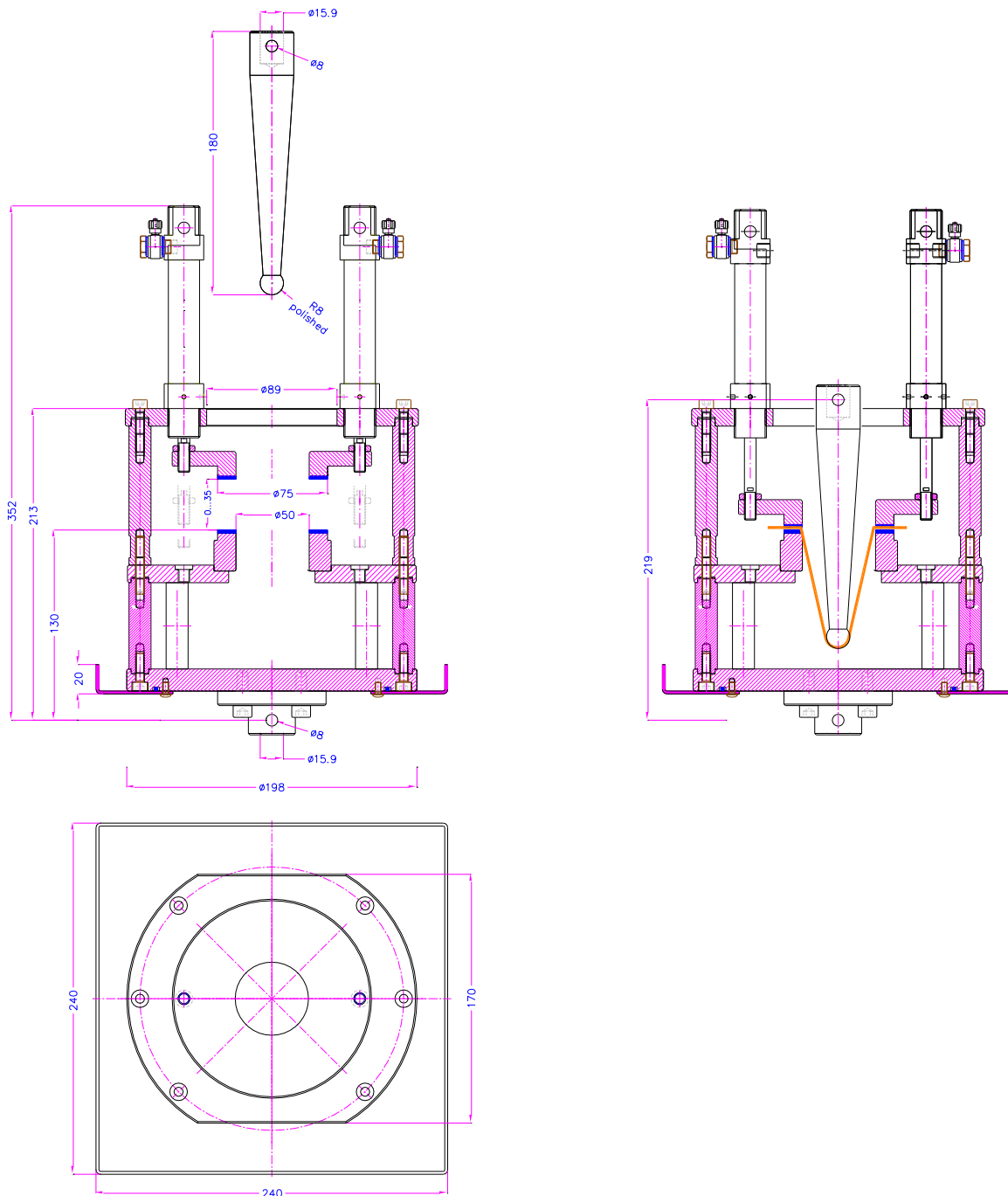
THS855-10+SH+Ko + TH187



THS855-10+SH

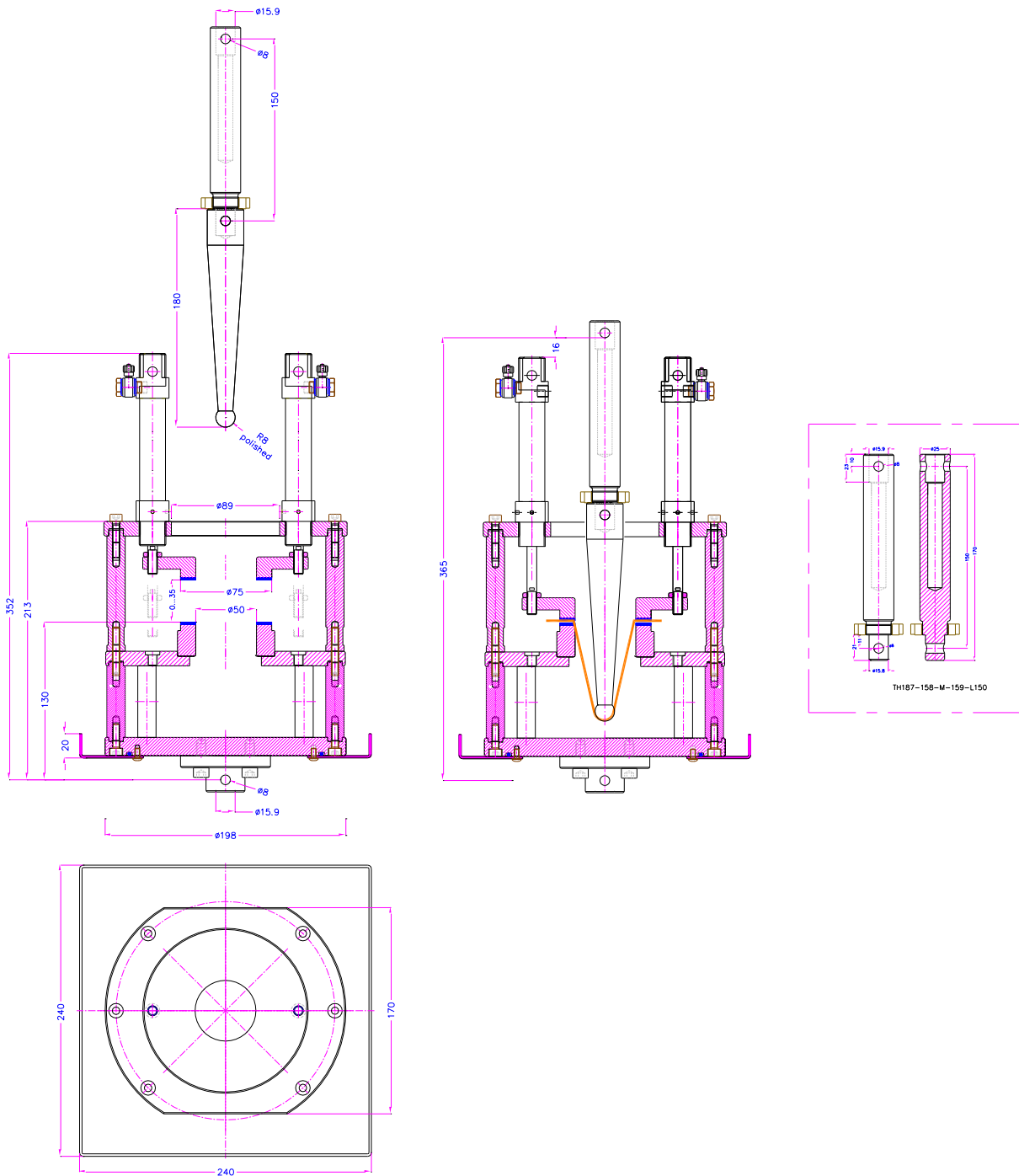
Pneumatic version for single-column tensile testing machine

<b>Item no.:</b>	<b>THS855-10+SH+Ko</b>
Max. load:	500 N
Coupling:	Af159. Further couplings on request
Material:	Stainless steel
Temperature range:	0°...+70°C Further temperature ranges on request
Weight:	13 kg
Scope of delivery:	1 fixture incl. tray for water drops



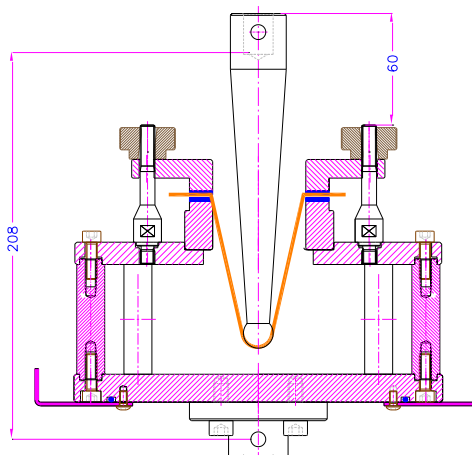
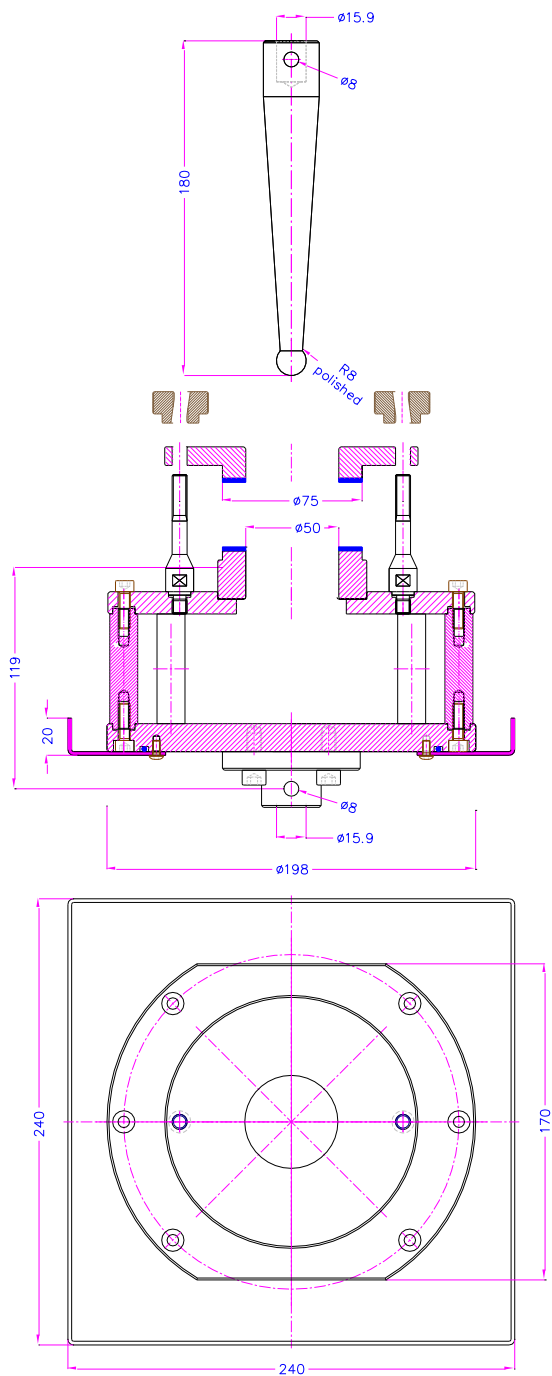
Same as **THS855-10+SH+Ko** but with adapter extension for use in a double-column tensile testing machine

<b>Item no.:</b>	<b>THS855-10+SH+Ko + TH187</b>
Max. load:	500 N
Coupling:	Af159. Further couplings on request
Material:	Stainless steel
Temperature range:	0°...+70°C Further temperature ranges on request
Weight:	13.5 kg
Scope of delivery:	1 fixture incl. adapter extension and tray for water drops



Manual version

<b>Item no.:</b>	<b>THS855-10+SH</b>
Max. load:	10 kN
Coupling:	Af159. Further couplings on request
Material:	Stainless steel
Temperature range:	0°...+70°C Further temperature ranges on request
Weight:	10 kg
Scope of delivery:	1 fixture incl. adapter extension and tray for water drops





**THS855-10+SH**

**Example for customized version:**



Manual puncture test fixture with a deeper tray, 50 mm deep

**See other fixtures for paper testing at [www.grip.de/G16/Paper/](http://www.grip.de/G16/Paper/)**

