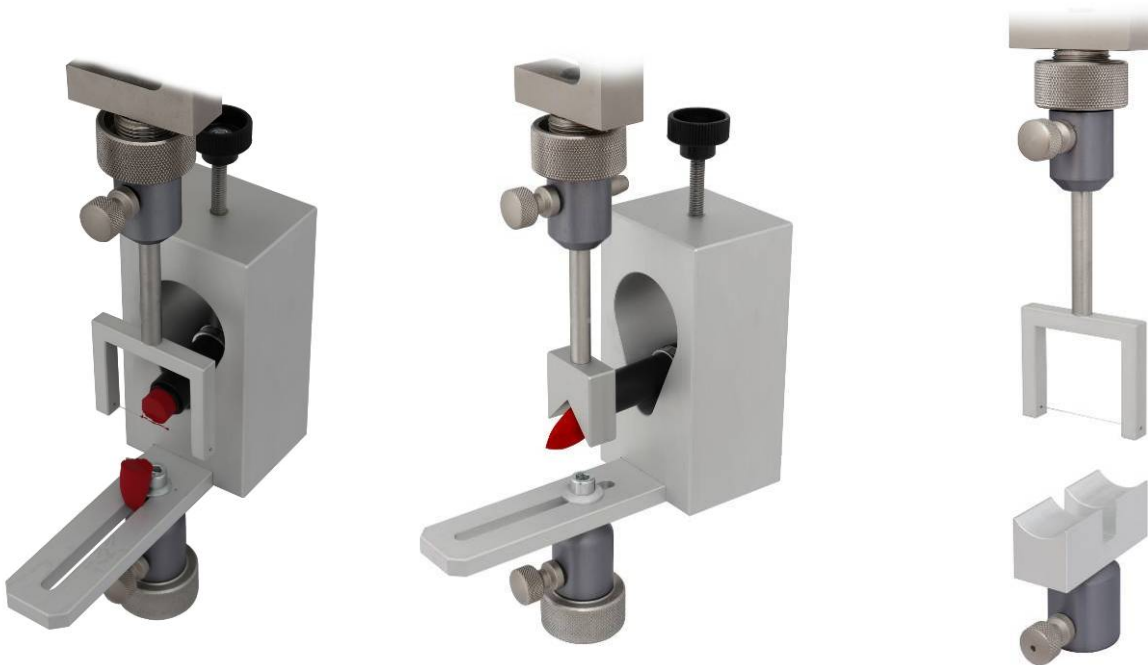


## TESTING OF MECHANICAL PROPERTIES AND TEXTURE OF LIPSTICKS

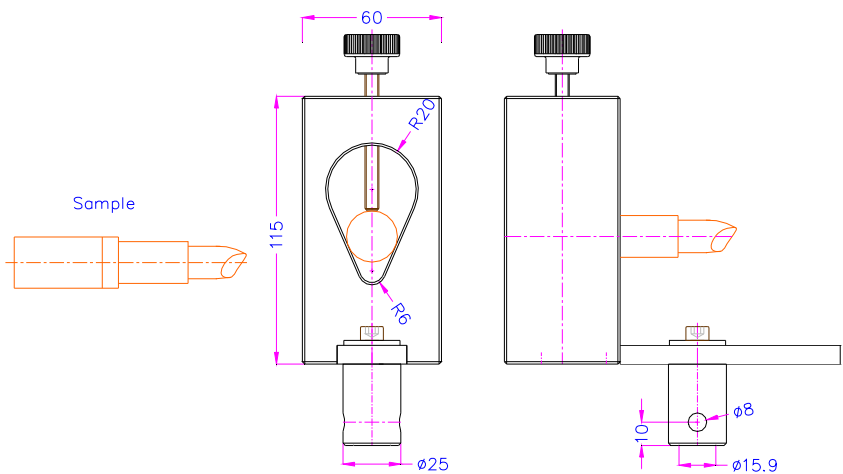
THS162-320 set consists of 2 supports and 2 punches (4 parts).

Further supports and punches on request.

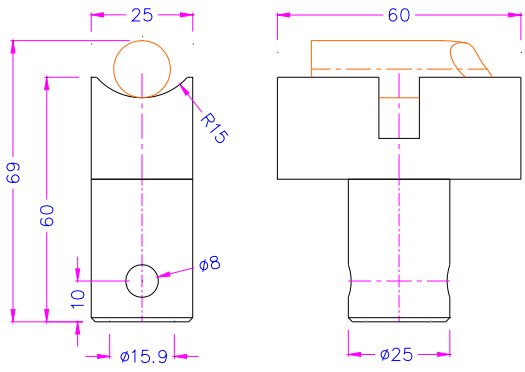


**SUPPORTS:**

<b>Item no.:</b>	<b>THS162-320-A1</b>
Max.specimen Ø:	35 mm
Coupling:	Af159. Further couplings on request
Material:	Aluminium, steel, plastic
Temperature range:	0° ... +70°C Further temperature ranges on request
Weight:	0.85 kg incl. adapter Af159
Scope of supply:	1 support



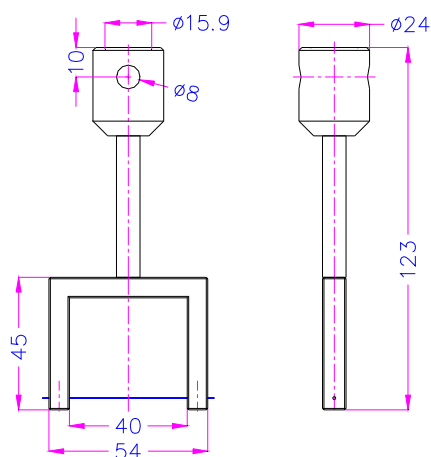
<b>Item no.:</b>	<b>THS162-320-A2</b>
Max. specimen Ø:	30 mm
Coupling:	Af159. Further couplings on request
Material:	Aluminium
Temperature range:	-70° ... +180°C Further temperature ranges on request
Weight:	0.12 kg incl. adapter Af159
Scope of supply:	1 support



**PUNCHES**

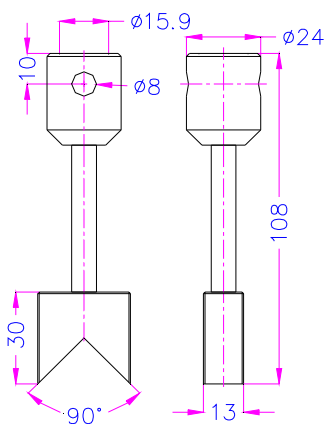
**Testing of break strength by slicing**

<b>Item no.:</b>	<b>THS162-320-P1</b>
Coupling:	Af159. Further couplings on request
Material:	Aluminium, steel
Temperature range:	-70° ... +180°C Further temperature ranges on request
Weight:	0.07 kg incl. adapter Af159
Scope of supply:	1 punch



**Testing of break strength by shear**

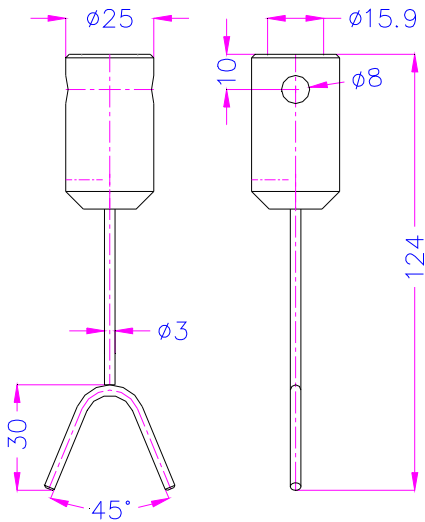
<b>Item no.:</b>	<b>THS162-320-P2</b>
Coupling:	Af159. Further couplings on request
Material:	Aluminium, steel
Temperature range:	-70° ... +180°C Further temperature ranges on request
Weight:	0.07 kg incl. adapter Af159
Scope of supply:	1 punch



**Special punches:**

**Testing of break strength by bending**

<b>Item no.:</b>	<b>THS162-320-P3</b>
Coupling:	Af159. Further couplings on request
Material:	Steel
Temperature range:	-70° ... +180°C Further temperature ranges on request
Scope of supply:	1 punch



**Testing of break strength**

<b>Item no.:</b>	<b>THS162-320-P4</b>
Coupling:	Af159. Further couplings on request
Material:	Aluminium, steel
Temperature range:	-70° ... +180°C Further temperature ranges on request
Scope of supply:	1 punch

