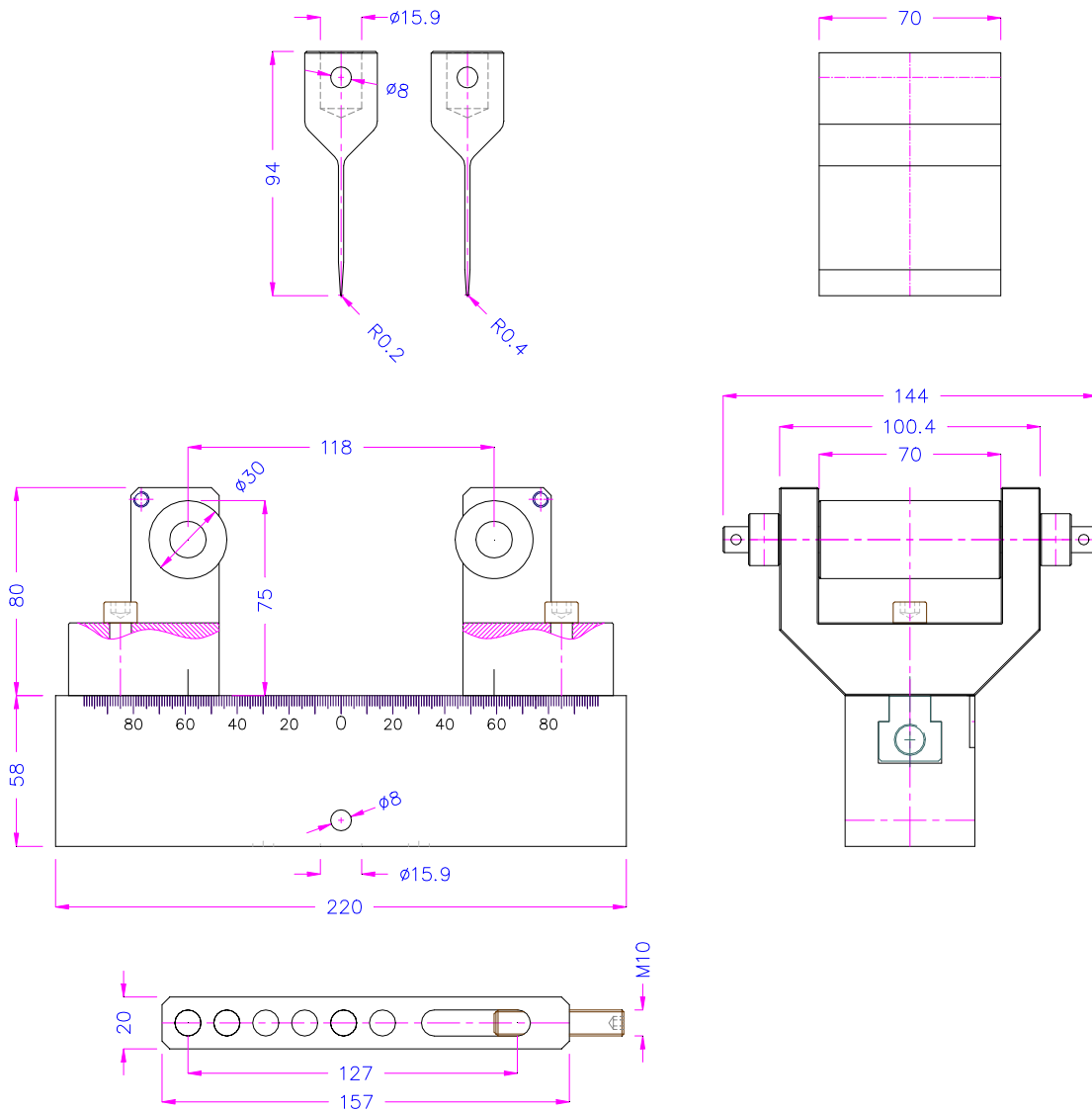
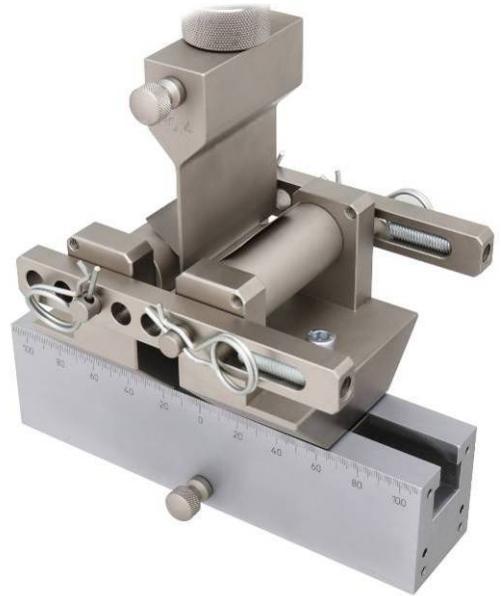


3-POINT BEND TEST FIXTURE

to test metallic materials according to VDA238-100.

Item no.:	TH103-FV-VDA238-100
Max. load:	36 kN (50 kN version available)
Coupling:	Af159 Further couplings on request
Material:	Steel, nickel-plated Upper anvils and lower rollers hardened
Temperature range:	0 ... +70°C Further temperature ranges on request
Weight:	8.84 kg per fixture incl. 1 upper anvil
Scope of delivery:	1 fixture including: 1x lower bar 220 mm long 1x upper anvil with radius 0.2 mm 1x upper anvil with radius 0.4 mm



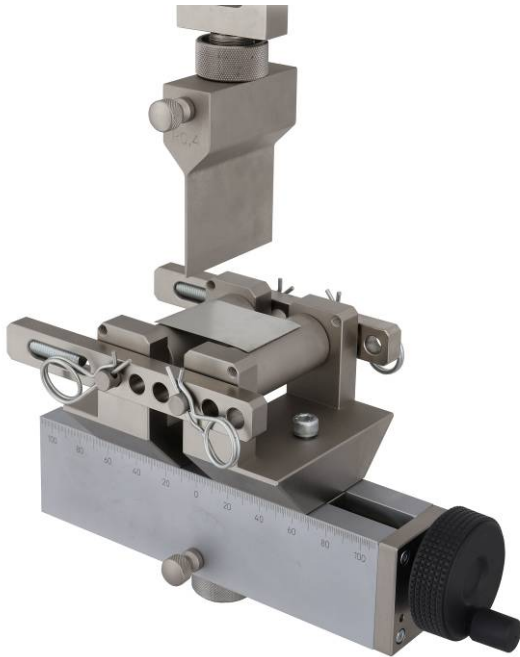
The upper anvils can be ordered separately:

Item no.:	Radius:
TH103-FV-FoR02	0.2 mm
TH103-FV-FoR04	0.4 mm

Anvils with further radii on request



Examples for special versions:



TH103-FV-VDA238-100-cgr
Version with a concentric crank
Temperature range 0° ... +70°C