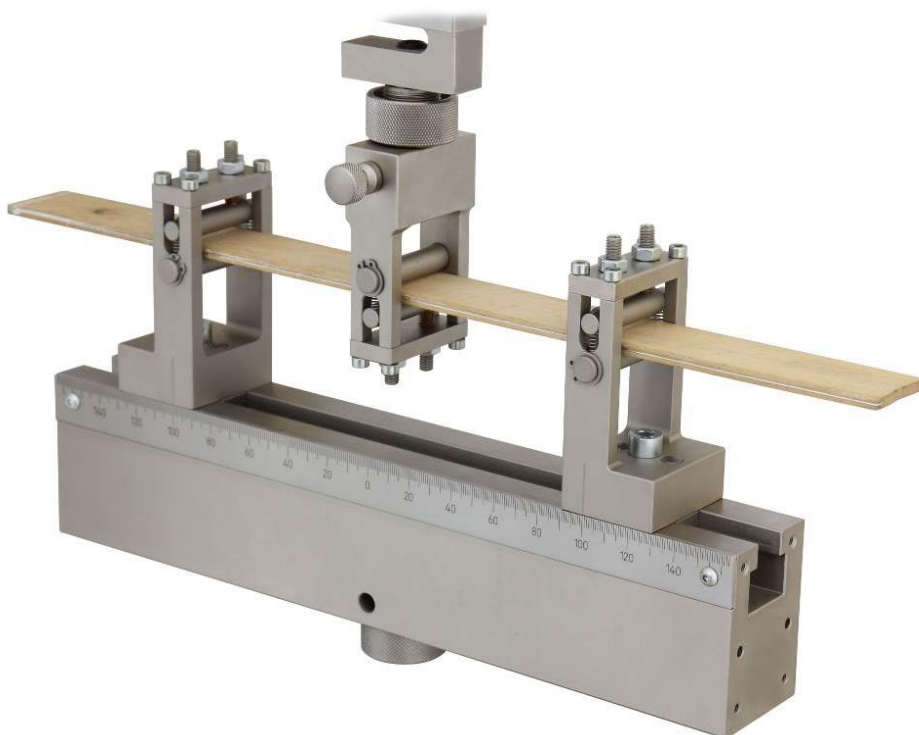
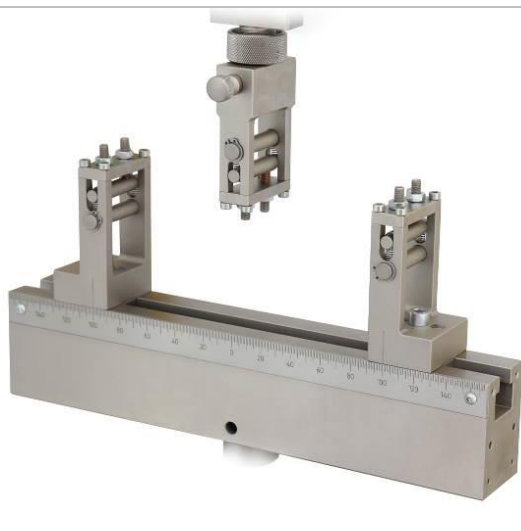


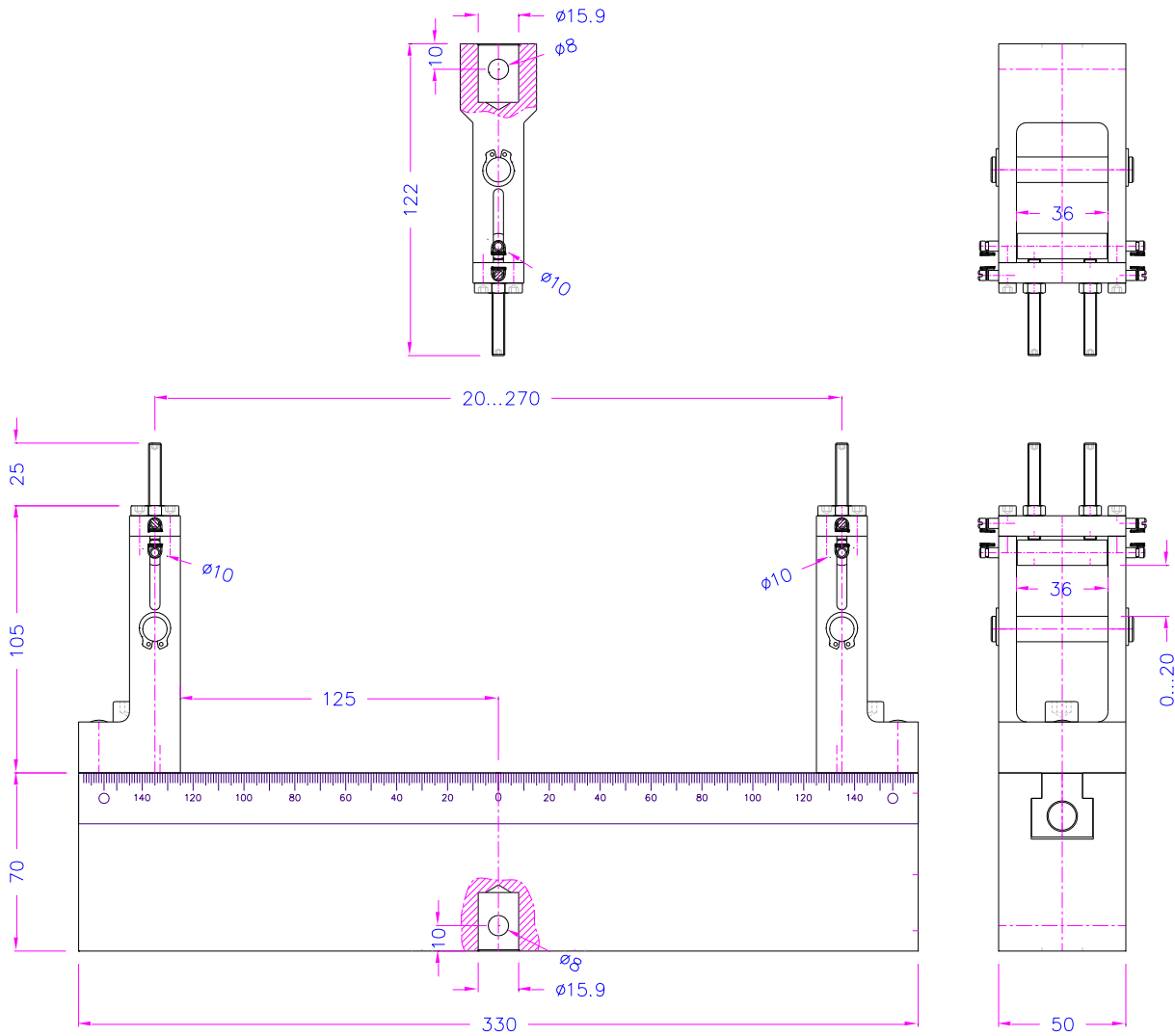
BEND TEST FIXTURE

to test flexural fatigue properties of plastics
according to ASTM-D7774 Procedure A and Procedure B

3-point bend test fixture to test flexural fatigue properties of plastics according to ASTM-D7774 Procedure A	
Item no.:	TH103-3P-330-FTE-ASTM-D7774
Max. load:	20 kN
Coupling:	Af159. Further couplings on request
Beam length:	330 mm
Rollers:	10 mm Ø x 36 mm long
Material:	Steel, nickel-plated
Temperature range:	0 ... +70°C Further temperature ranges on request
Scope of delivery:	1 fixture incl. lower beam and upper 3-point anvil



TH103-3P-330-FTE-ASTM-D7774 with a specimen



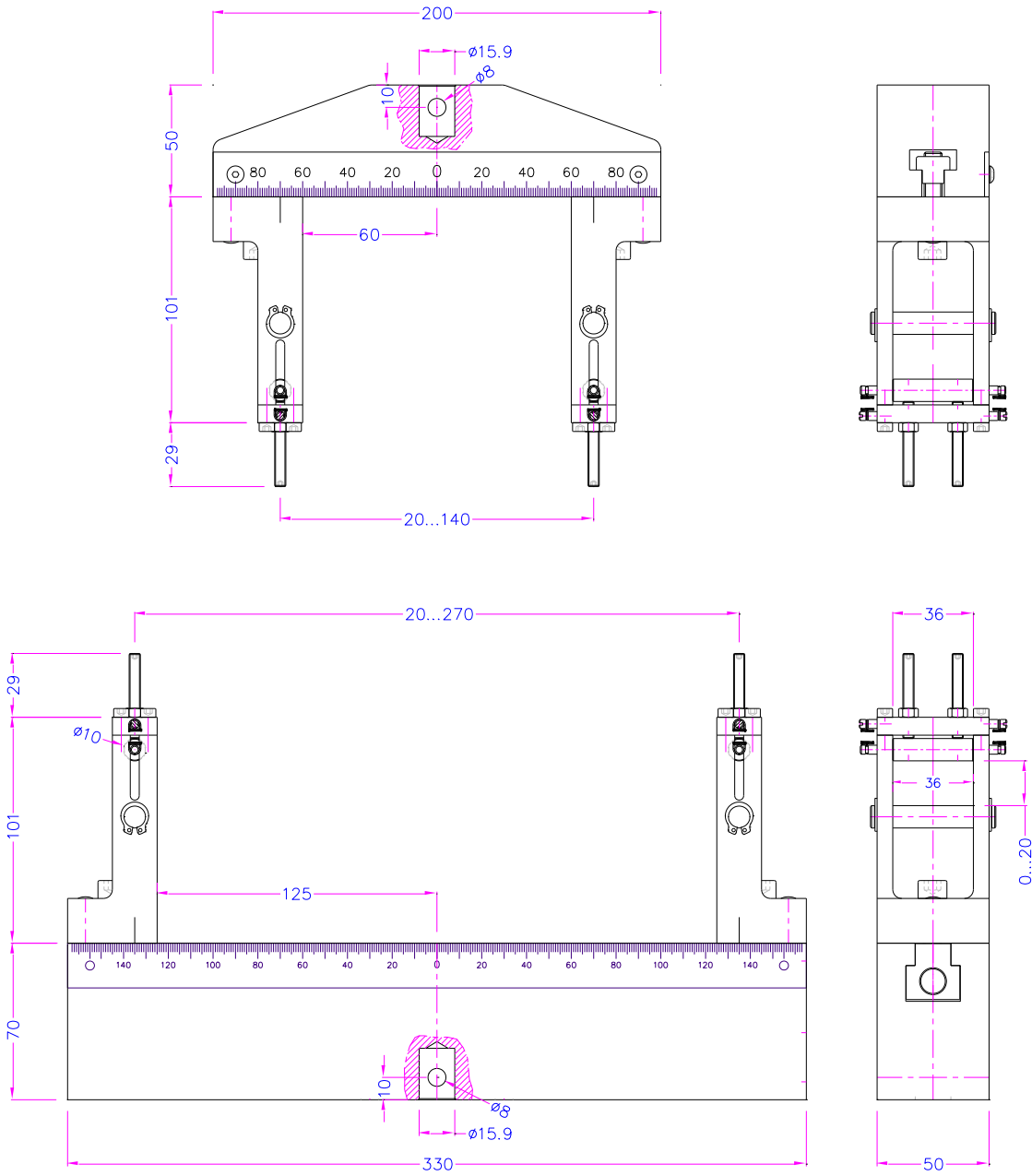
TH103-3P-330-FTE-ASTM-D7774

4-point bend test fixture to test flexural fatigue properties of plastics according to ASTM-D7774 Procedure B

Item no.:	TH103-4P-330-FTE-ASTM-D7774
Max. load:	20 kN
Coupling:	Af159. Further couplings on request
Beam length:	330 mm
Rollers:	10 mm Ø x 36 mm long
Material:	Steel, nickel-plated
Temperature range:	0 ... +70°C Further temperature ranges on request
Scope of delivery:	1 fixture incl. lower and upper beams



picture similar



5-point bend test fixture to test flexural fatigue properties of plastics according to ASTM-D7774 Procedures A and B	
Item no.:	TH103-5P-330-FTE-ASTM-D7774
Max. load:	20 kN
Coupling:	Af159. Further couplings on request
Beam length:	330 mm
Rollers:	10 mm Ø x 36 mm long
Material:	Steel, nickel-plated
Temperature range:	0 ... +70°C Further temperature ranges on request
Scope of delivery:	1 fixture incl. lower and upper beams for 4-point test and upper 3-point anvil

