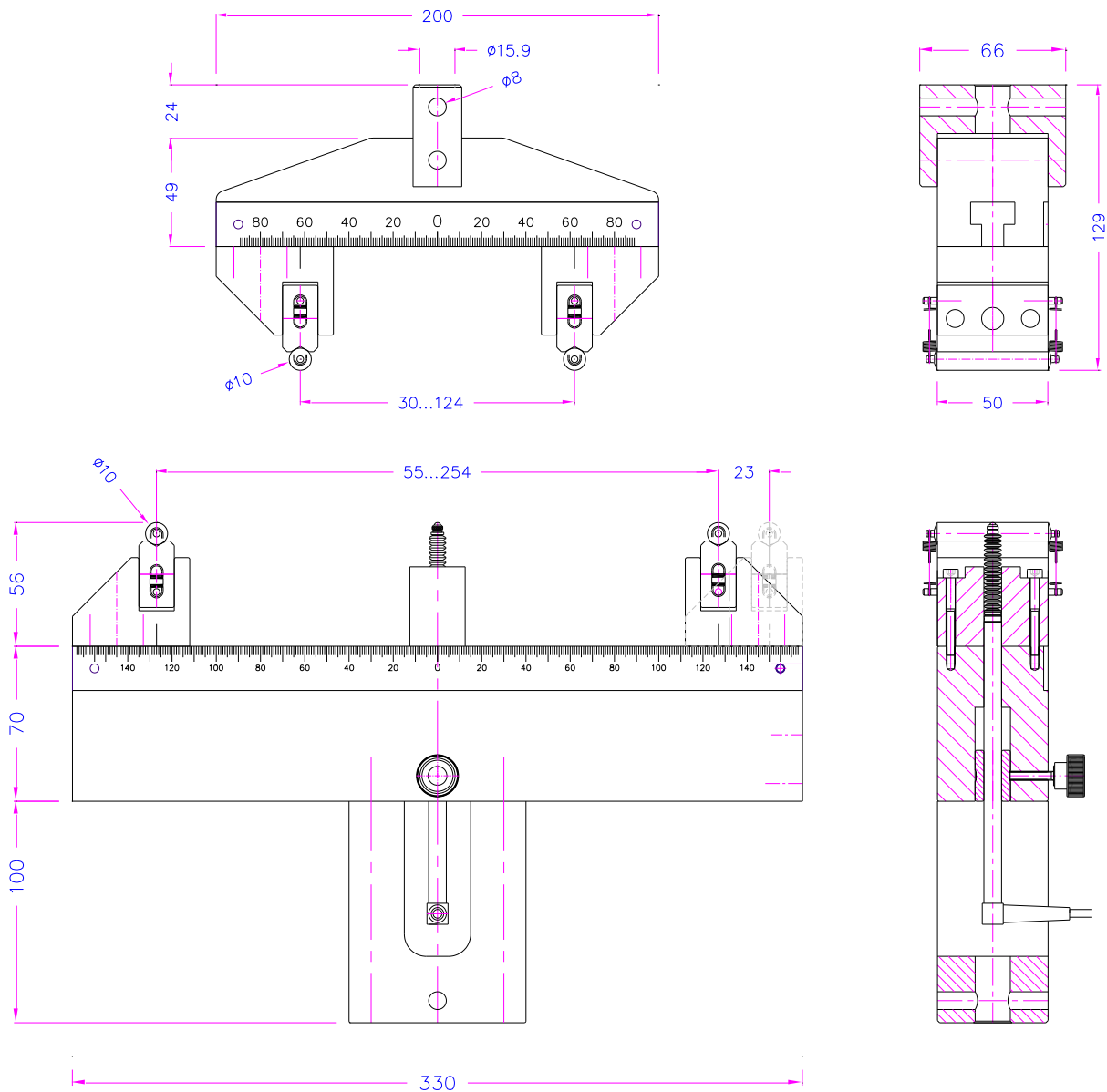


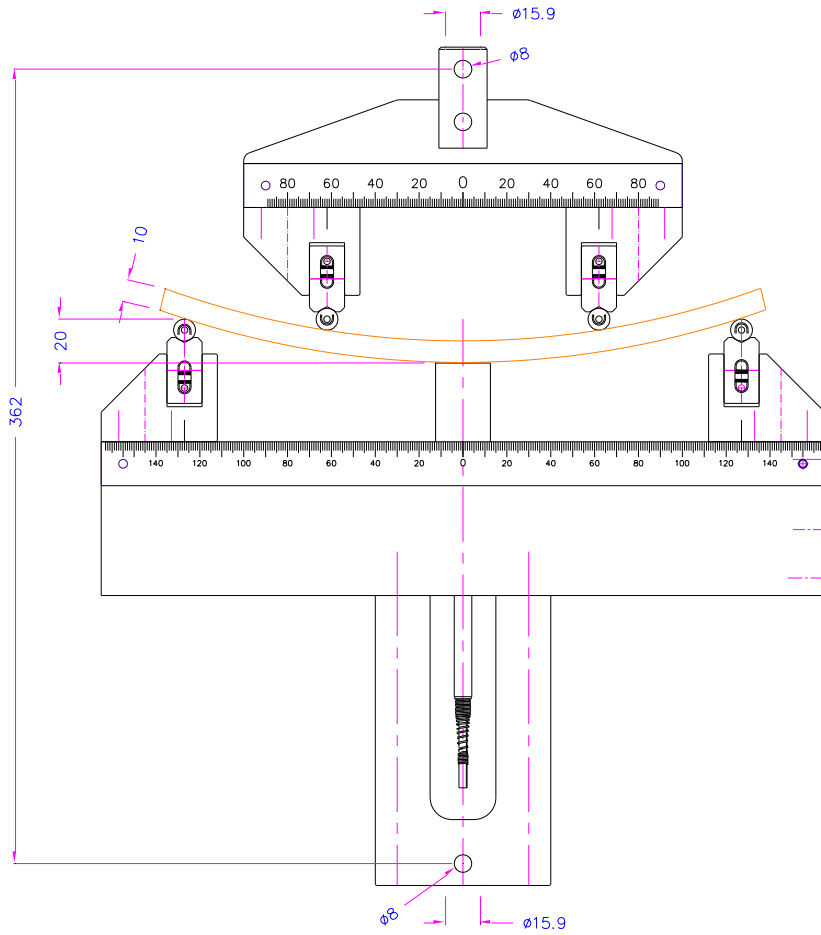
4-POINT BEND TEST FIXTURES

for testing glass-fibre reinforced cement according to EN1170-5 ("complete bending test" method) and EN1170-4 ("simplified bending test" method)

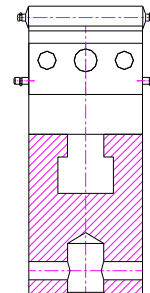
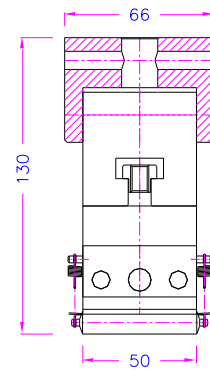
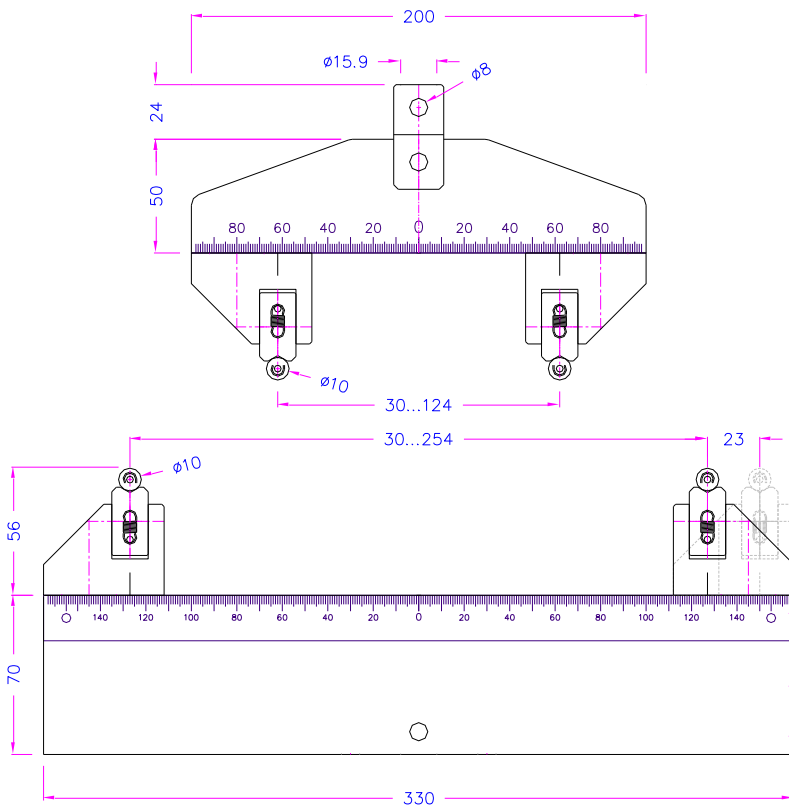
Item no.:	TH103-4P-330-CWX10-EN1170-5 TH103-4P-330-CWX10-EN1170-4
Max. load:	20 kN
Coupling:	Af159. Further couplings on request
Beam length:	330 mm (bottom beam), 200 mm (top beam)
Rollers:	10 mm Ø x 50 mm long
Material:	Steel, nickel-plated
Temperature range:	0 ... 70°C Further temperature ranges on request
Scope of delivery:	Upper and lower bars incl. 4 anvils with articulating rollers, upper swing adapter and holder for extensometer (for TH103-4P-330-EN1170-5 only)



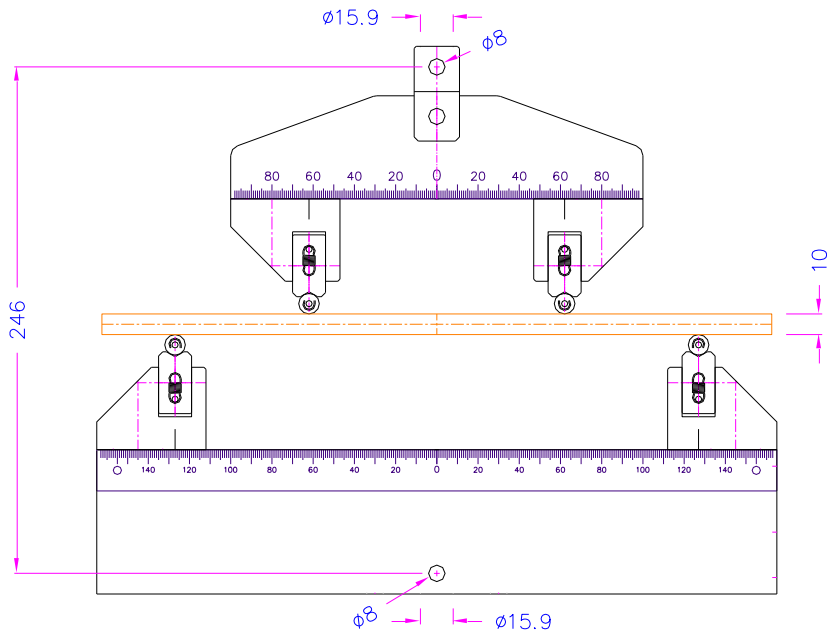
TH103-4P-330-CWX10-EN1170-5



TH103-4P-330-CWX10-EN1170-5 with a specimen



TH103-4P-330-CWX10-EN1170-4



TH103-4P-330-CWX10-EN1170-4 with a specimen